

Assembly instructions for ZWO EAF motor focus on Starlight Instruments
Feathertouch pull-outs



Scope of delivery:



- 1) Mounting adaptation
- 2) Clamp bracket
- 3) 2x M3x10 Screws

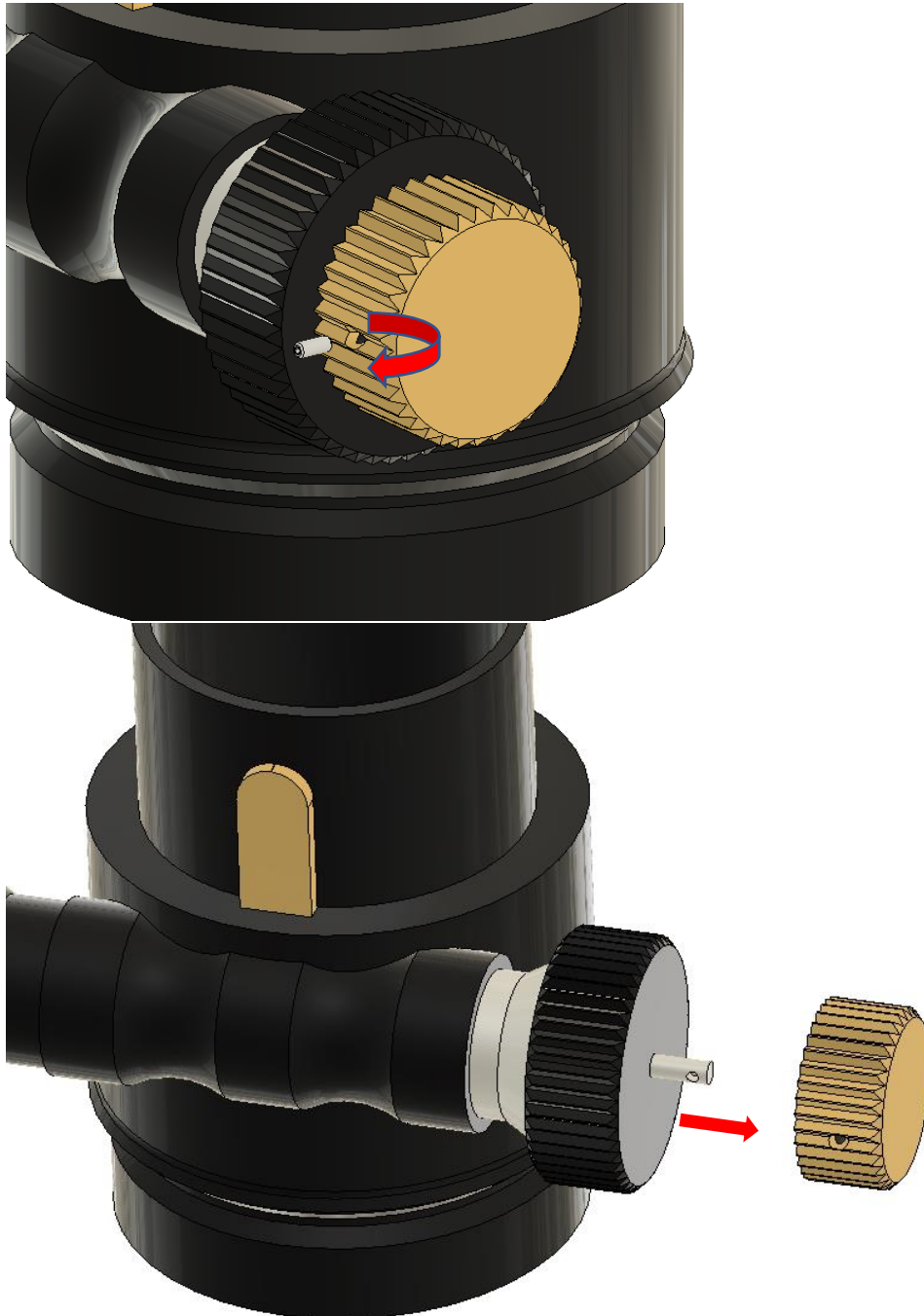
Mounting accessories are not included in the scope of delivery (Allen key size 2 and 3)

Please always bear in mind with 3D printed parts! After tight comes off! Tighten the parts carefully so that a firm resistance can be felt. Do not go beyond this.

To order spare parts, please let us know the color dot on the packaging and the part number shown above. Without this information, we will unfortunately not be able to offer you suitable spare parts for your set.

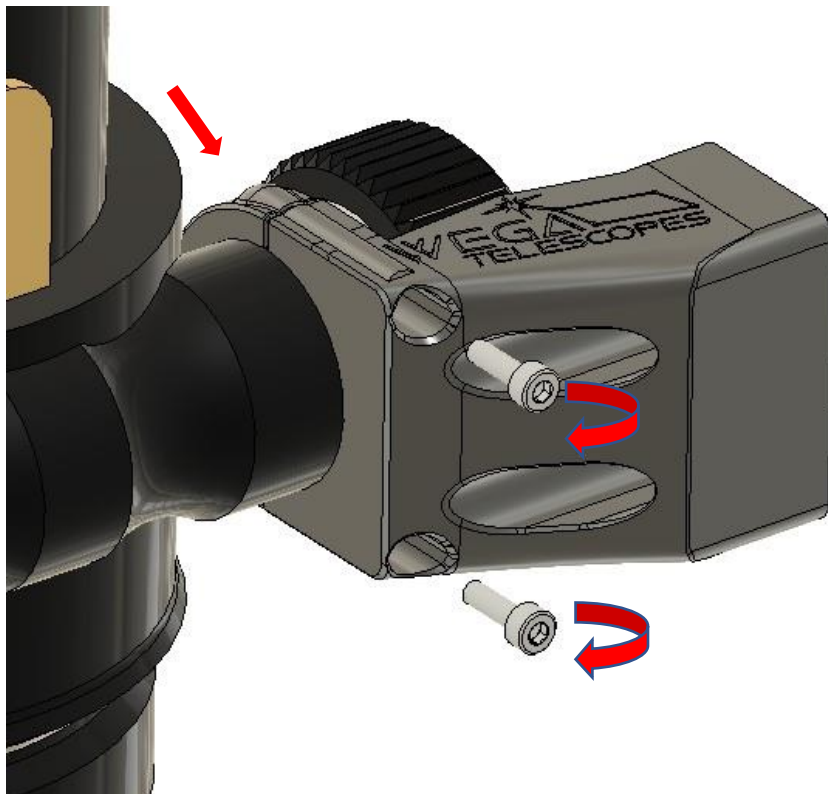
Workstep 1:

Loosen the screw on the right-hand side of the focus wheel on your existing Starlight Feathertouch focuser and then pull it off.



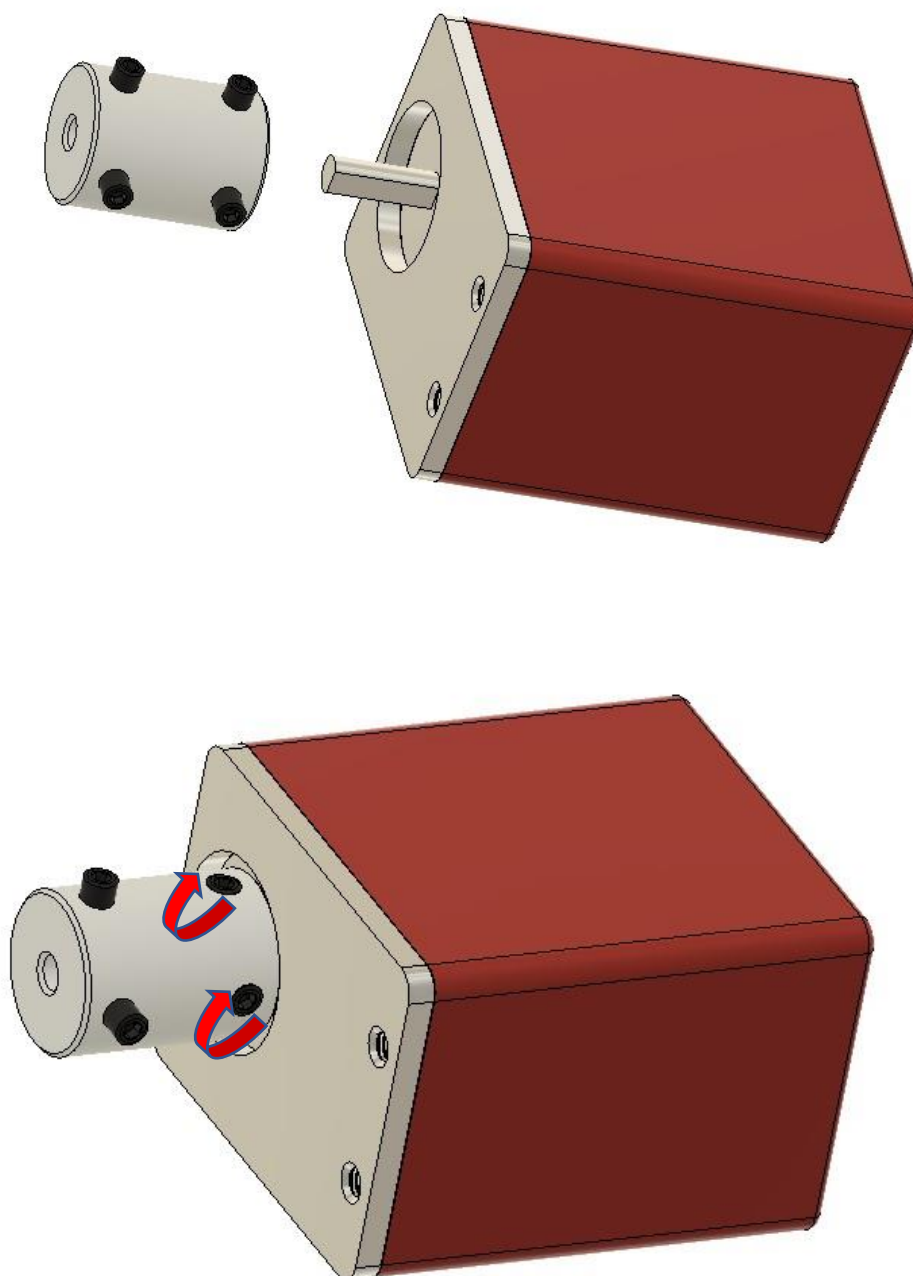
Workstep 2:

Now place the adapter (1) at the bottom of the free stainless steel surface of the focuser and screw it only lightly to the clamping piece (2) using the two M3x10mm screws (3) supplied. The adapter must not yet be screwed tight.



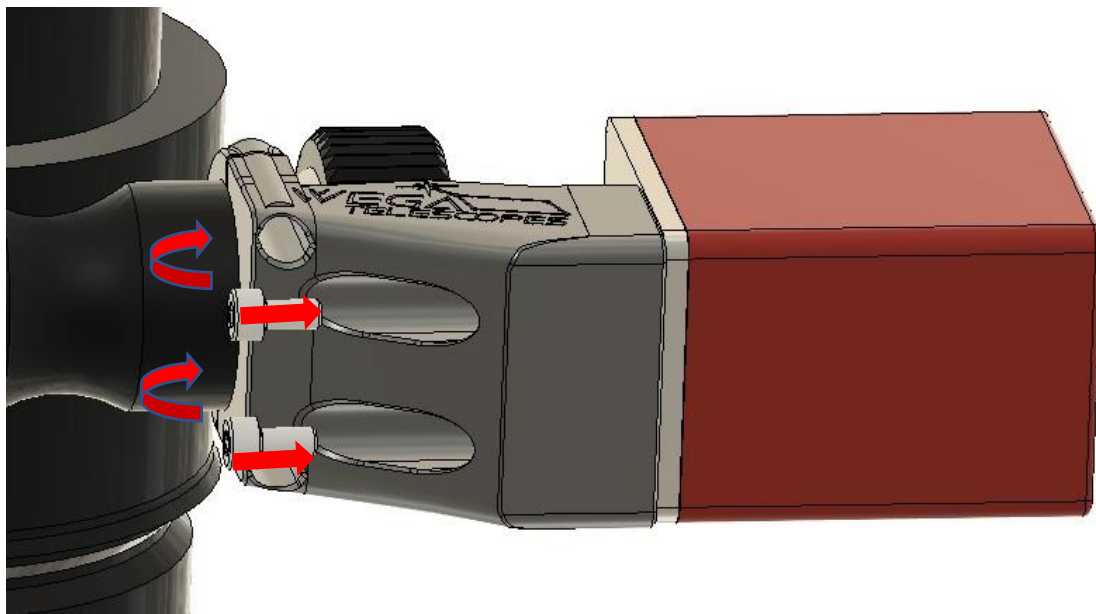
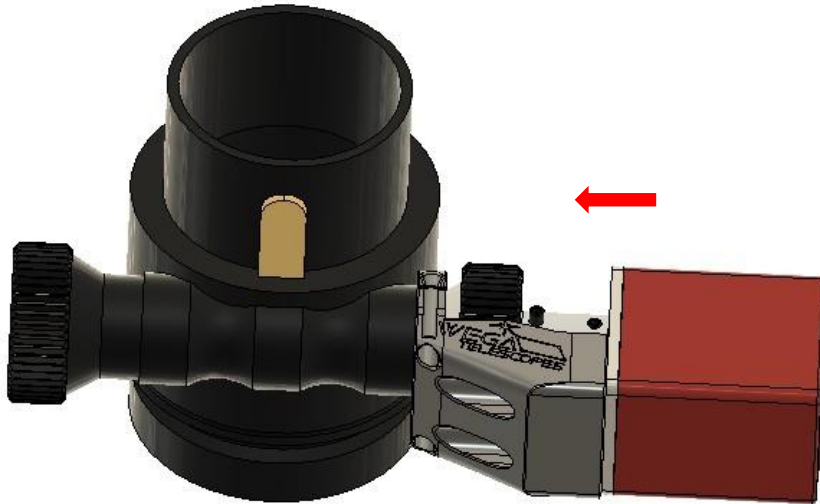
Workstep 3:

Then place the motor shaft, 4 to 5mm, which is supplied with the ZWO EAF, onto the shaft of the ZWO EAF motor and screw it tight. Slide the motor shaft completely up to the housing of the ZWO EAF motor.



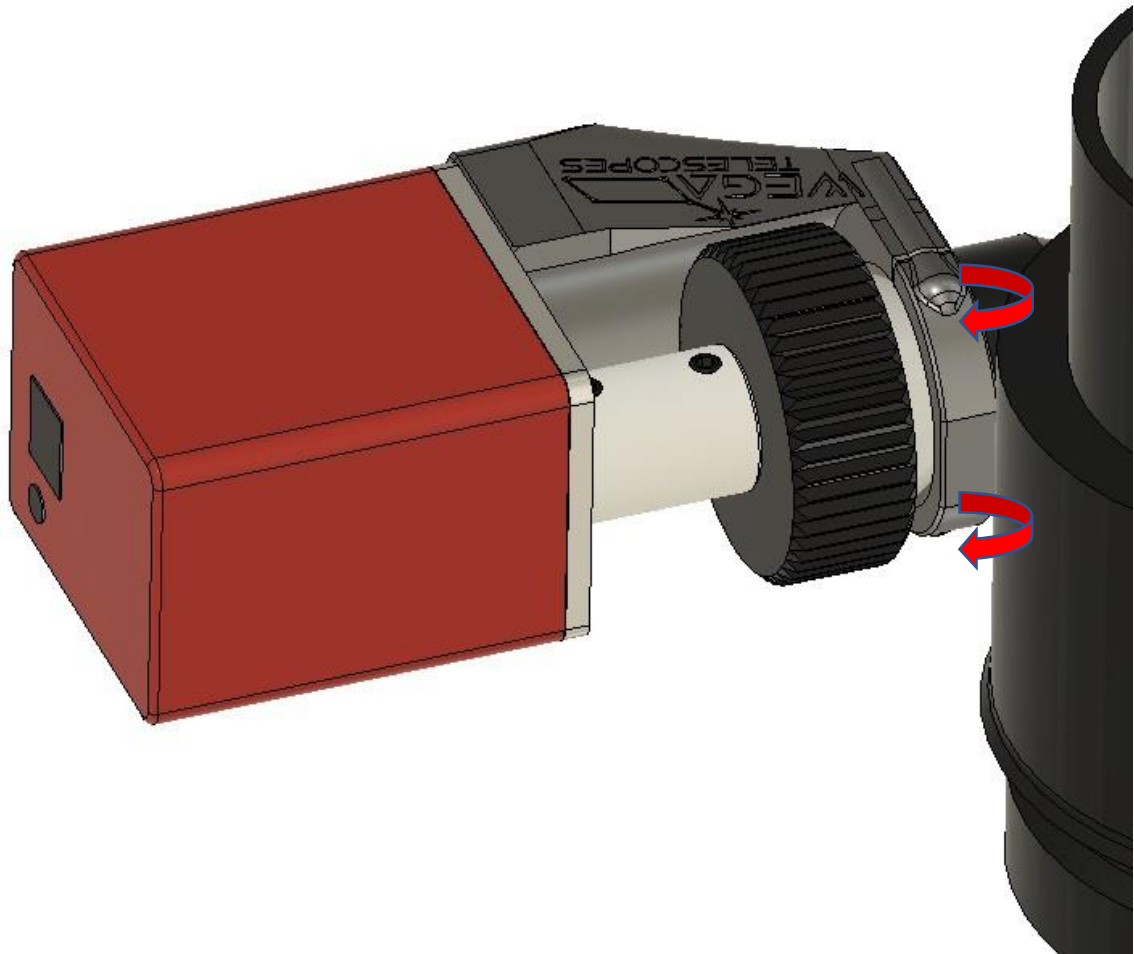
Workstep 4:

Then slide the EAF motor with the motor shaft over the shaft of the Starizona Feathertouch focuser and screw it to the adapter (1) using the two M4x8mm screws supplied with the ZWO EAF motor.



Arbeitsschritt: 5

Now tighten the screws between the adapter and the clamping piece.



Congratulations! The installation is now complete.